



SIMPLE ELEGANCE IN COMBINATION WITH  
SUPREME PERFORMANCE MAKES THE  
DESIGN OF THE **FINESA** RADIATOR UNIQUE

**FINESA** IS NOT JUST A DECORATIVE ELEMENT,  
ALSO AN EXCELLENT HEAT SOURCE FOR BOTH  
THE BATHROOM AND OTHER SPACES



DESIGN RADIATOR

**FINESA**

*Available luxury*



# DESIGN RADIATOR FINESA

**Modern design, high quality and functionality are the features that recommend the design of the FINESA radiator.**

FINESA is an ideal solution intended primarily for bathrooms, but also for other rooms in your home.

## **modern design**

The innovative design gives this radiator a simple and at the same time elegant look, which is in perfect harmony with modern interiors.

## **practical solution**

Thanks to the practical crossbars/holders on the front surface, FINESA also functions as a dryer for towels and smaller clothes.



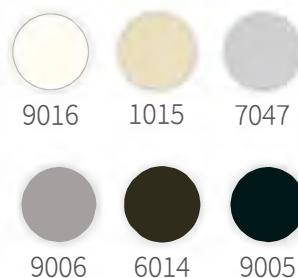
*Finesa, model Poli, Colors: RAL 9006-RAL 9016*



**Model Mono:**  
single color finish

**Model Poli:**  
two-tone finish

## **RAL colors**



**Towel holders:**  
colored / polished stainless steel  
Height 800 / 1000 mm: 2 towel holders  
Height 1200 / 1500 mm: 3 towel holders



*HOT WATER DESIGN RADIATOR FINESA PRESENTS A DECORATIVE AND PRACTICAL HEATING ELEMENT IN A CENTRAL HEATING SYSTEM*

### high quality

The front surface of the radiator is made of high-quality aluminum profiles, which also give the radiator a luxurious look with clean lines. Radiator parts, which are in contact with water, are made of stainless steel, and enable the use of this heating body in heating system installations, as well as in systems with centralized hot water supply.

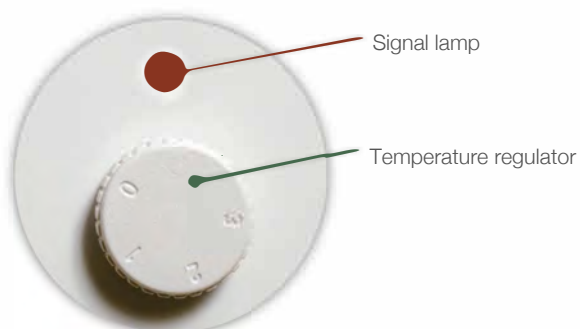


*FINESA ELEKTRIK IS THE IDEAL SOLUTION FOR SAFE AND OPTIMAL ELECTRIC HEATING IN YOUR BATHROOM*

### safe solution

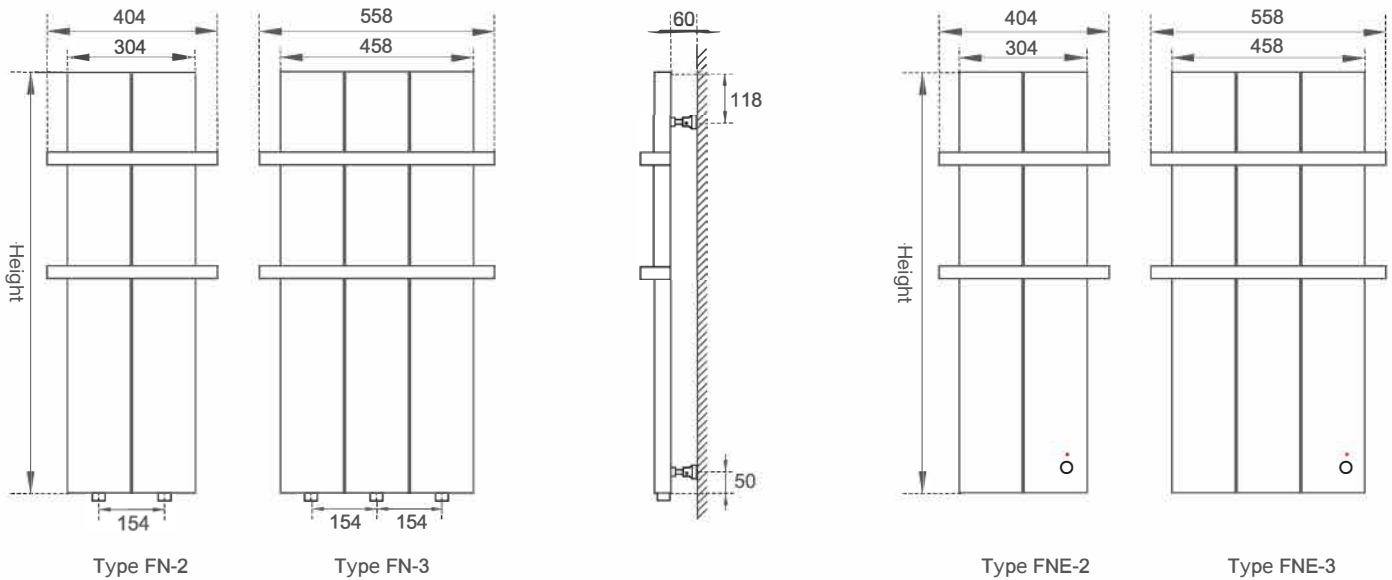
The electric heater is integrated in stainless steel pipes, which are joined in a solid construction with front aluminum panels, which enables optimal and even heat distribution. A precise electronic thermostat regulates the operation of the heater and maintains the set temperature.

**FINESA Elektrik** is a dry radiator that does not use water or other heating fluid, which avoids the possibility of freezing or increasing the pressure inside the radiator.



*Finesa Elektrik FNE2-100  
Model Mono  
WxH 404x1000mm  
Color: RAL 9005*

## sizes



## technical characteristics

Type	Height (mm)	Overall width (mm)	Thermal mode ( $\Delta t=60^\circ\text{C}$ ) (W)
FN 2-80	800	404	400
FN 2-100	1000	404	500
FN 2-120	1200	404	600
FN 2-150	1500	404	700
FN 3-80	800	558	600
FN 3-100	1000	558	750
FN 3-120	1200	558	900
FN 3-150	1500	558	1100

Test pressure: 9 bar/pH value: 6-11

Type	Height (mm)	Overall width (mm)	Thermal mode (W)
FNE 2-80	800	404	400
FNE 2-100	1000	404	500
FNE 2-120	1200	404	800
FNE 3-80	800	558	600
FNE 3-100	1000	558	750



### KABOLA HEATING SYSTEMS

Placotiweg 1E,  
4341 BV VIANEN NL  
Tel. +31 (0) 347 320 030  
E-mail: info@kabola.nl  
www.kabolaheaters.nl